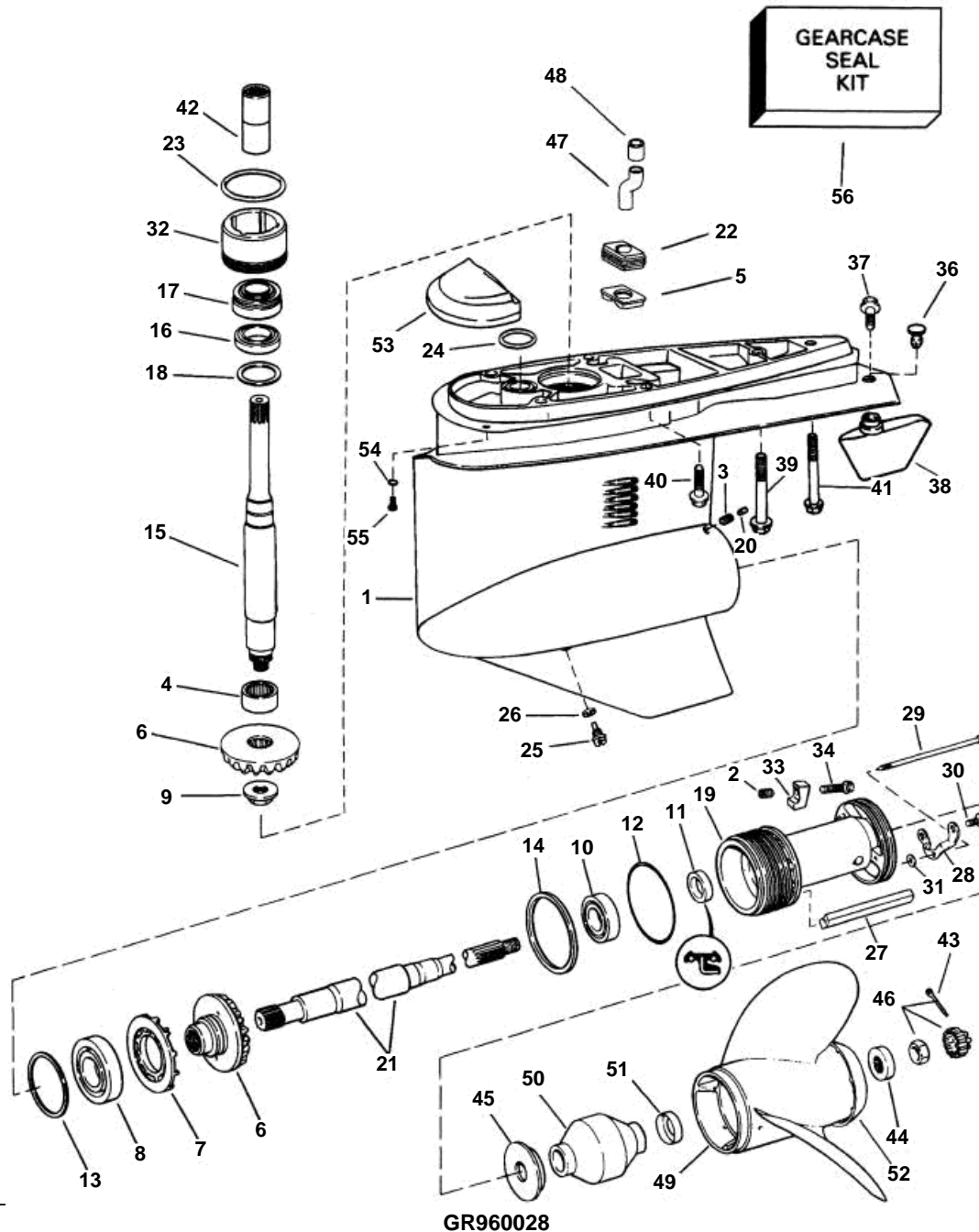


SX-C1, SX-CT1, SX-RT1 - LOWER GEAR UNIT, SINGLE PROP



Upd: 22 NOV 2005

7797260 - - 0-0004

SX-C1, SX-CT1, SX-RT1 - LOWER GEAR UNIT, SINGLE PROP

REF	PART NO.	QTY	DESCRIPTION	SEE SEC.	NOTES
	3855692	1	Gear under, SX,1.43:1		Not shown
	3855693	1	Gear under, SX,1.51:1		Not shown
	3855694	1	Gear under, SX,1.60:1		Not shown
	3855695	1	Gear under, SX,1.66:1,1.97:1		Not shown
	3855696	1	Gear under, SX,1.85:1, 2.18:1		Not shown
1	3855363	1	• Gear under, SX		
2	3852515	1	• • Thread insert, Prop shaft retainer		
3	3852567	1	• • Thread insert, 5/16 x 18, short		
4	3853934	1	• • Roller bearing, Pinion		
5	3854601	1	• Retainer, Seal, water tube		
6	3851299	1	• Gear set, .68.1 (18:29)		
	3851309	1	• Gear set, .95:1 (16:30)		
	3851314	1	• Gear set, 2.30:1(14:31)		
	3852402	1	• Gear set, Pinion & drive gears		1.51
	3852403	1	• Gear set, Pinion & drive gears		1.60
	3852404	1	• Gear set, Pinion & drive gears		1.66,1.97
	3852405	1	• Gear set, Pinion & drive gears		1.85, 2.18
	3854814	1	• Gear set, Pinion & drive gears		1.43
7	3853941	1	• • Pump rotor		
8	3850942	1	• • Bearing		
9	3851003	1	• Nut, Pinion to driveshaft		
10	3854249	1	• Bearing, Propeller shaft housing		
11	3853474	1	• Seal, Propeller shaft hsg		
12	3852865	1	• O-ring, Propeller shaft hsg to gearcase		
13	3850695	X	• Adjusting washer, Gear position, 0.002 in		
	3852885	X	• Shim, Gear position, 0.004 in		
	3852886	X	• Shim, Gear position, 0.003 in		
	3852887	X	• Shim, Gear position, 0.005 in		
	3852888	X	• Shim, Gear position, 0.010 in		
14	3852868	X	Adjusting washer, 0.100 in., propshaft bearing hsg		
	3852869	X	Adjusting washer, 0.102 in., propshaft bearing hsg		
	3852870	X	Adjusting washer, 0.104 in., propshaft bearing hsg		
	3852871	X	Adjusting washer, 0.106 in., propshaft bearing hsg		
	3852872	X	Adjusting washer, 0.108 in., propshaft bearing hsg		
	3852873	X	Adjusting washer, 0.110 in., propshaft bearing hsg		
	3852874	X	Adjusting washer, 0.112 in., propshaft bearing hsg		
	3852875	X	Adjusting washer, 0.114 in., propshaft bearing hsg		
	3852876	X	Adjusting washer, 0.116 in., propshaft bearing hsg		
	3852877	X	Adjusting washer, 0.118 in., propshaft bearing hsg		
	3852878	X	Adjusting washer, 0.120 in., propshaft bearing hsg		
	3852879	X	Adjusting washer, 0.122 in., propshaft bearing hsg		
	3852880	X	Adjusting washer, 0.124 in., propshaft bearing hsg		
	3852881	X	Adjusting washer, 0.096 in., propshaft bearing hsg		
	3852882	X	Adjusting washer, 0.098 in., propshaft bearing hsg		
15	3851342	1	Countershaft, Lower		
16	3854249	1	Bearing, Lower driveshaft		

7797260 - - 0-0004

GR960028

Upd: 22 NOV 2005

SX-C1, SX-CT1, SX-RT1 - LOWER GEAR UNIT, SINGLE PROP

REF	PART NO.	QTY	DESCRIPTION	SEE SEC.	NOTES
17	3854250	1	Bearing, Upper driveshaft		
18	3852889	X	Shim, Pinion position, 0.003 in		
	3852890	X	Shim, Pinion position, 0.004 in		
	3852891	X	Shim, Pinion position, 0.005 in		
	3852892	X	Shim, Pinion position, 0.010 in		
19	3853492	1	Housing, Propeller shaft		
20	3853272	1	Screw, Propshaft bearing hsg to gearcase		
21	3852271	1	Driveshaft		
22	3854595	1	Seal, Water supply tube to gearcase		Part of gearcase seal kit
23	3852866	1	O-ring, Gearcase to upper gear hsg		Part of gearcase seal kit
24	3852959	1	O-ring, Gearcase to upper gear hsg, oil sump		Part of gearcase seal kit
25	3854539	1	Plug, Oil drain, gear hsg		
26	3855081	1	O-ring, Gearcase plug		Part of gearcase seal kit
27	3852970	1	Anode, Propeller shaft bearing hsg		
28	3852971	1	Retainer, Anode		
29	3852972	1	Screw, Anode to propshaft		
30	3853309	2	Screw, Anode retainer to propshaft brg hsg		
31	3852973	1	Washer, Anode to propshaft		
32	3855636	1	Retainer, Bearing, lower vertical driveshaft		
33	3853371	1	Retainer, Propeller shaft hsg		
34	3852478	1	Screw, Propeller shaft retainer to gearcase		
36	3850662	1	Plug, Trim tab hole, lower gearcase		
37	3852008	1	Screw, Trim tab		1.85,1.97, diesel
38	3854402	1	Trim fin, 1 .85,1.97, diesel		
39	3854806	1	Screw, Gearcase to gear hsg, middle		
	3852349	1	Screw, Gearcase to upper gear hsg, rear		
40	3854807	4	Screw, Gearcase to gear hsg, front, port & stbd		
41	3852960	1	Screw, Gearcase to upper gear hsg, rear		
	3854805	1	Screw, Gearcase to gear hsg, rear		
42	3852268	1	Splined sleeve		
			Bulletin P-44-1-6	P-44-1-6-EN	Lower Gear Unit
43	3852056	1	Pin, Propeller		
44	3852350	1	Spacer, Propeller nut		
45	3852020	1	Bushing, Propeller		
46	3850984	1	Propeller nut, Propeller		
47	3854795	1	Tube, Water supply		
48	3852315	1	Seal		Part of gearcase seal kit
49	3850298	1	Propeller, 5 1/2 x 13		RR, aluminum
	3850299	1	Propeller, 5 1/2 x 15		RR, aluminum
	3850300	1	Propeller, 5 x 17		RR, aluminum
	3850301	1	Propeller, 4 1/2 x 19		RR, aluminum
	3850302	1	Propeller, 4 1/4 x 21		RR, aluminum
	3850303	1	Propeller, 4 1/4 x 23		RR, aluminum
	3850304	1	Propeller, 5 1/2 x 14		RR, SS
	3850305	1	Propeller, 5 x 15		RR, SS
	3850306	1	Propeller, 5 x 16		RR, SS

7797260 - - 0-0004

GR960028

Upd: 22 NOV 2005

SX-C1, SX-CT1, SX-RT1 - LOWER GEAR UNIT, SINGLE PROP

REF	PART NO.	QTY	DESCRIPTION	SEE SEC.	NOTES
49	3850307	1	Propeller, 5 x 17 Bulletin 56-11	56-11-EN	RR, SS Replacement of SX Propellers
49	3850308	1	Propeller, 41/ x 19 Bulletin 56-11	56-11-EN	RR, SS Replacement of SX Propellers
49	3850309	1	Propeller, 141/4 x 21 Bulletin 56-11	56-11-EN	RR, SS Replacement of SX Propellers
49	3850310	1	Propeller, 41/4 x 23 Bulletin 56-11	56-11-EN	RR, SS Replacement of SX Propellers
49	3850311	1	Propeller, 5 x 17 Bulletin 56-11	56-11-EN	RR, polished SS Replacement of SX Propellers
49	3850312	1	Propeller, 41/2 x 19 Bulletin 56-11	56-11-EN	RR, polished SS Replacement of SX Propellers
49	3850313	1	Propeller, 41/4 x 21 Bulletin 56-11	56-11-EN	RR, polished SS Replacement of SX Propellers
49	3850314	1	Propeller, 41/4 x 23 Bulletin 56-11	56-11-EN	RR, polished SS Replacement of SX Propellers
49	3850315	1	Propeller, 5 x 15		LR, SS
	3850316	1	Propeller, 5 x 17 Bulletin 56-11	56-11-EN	LR, SS Replacement of SX Propellers
49	3850317	1	Propeller, 41/2 x 19 Bulletin 56-11	56-11-EN	LR, SS Replacement of SX Propellers
49	3850318	1	Propeller, 41/4 x 21 Bulletin 56-11	56-11-EN	LR, SS Replacement of SX Propellers
49	3850319	1	Propeller, 41/4 x 23 Bulletin 56-11	56-11-EN	LR, SS Replacement of SX Propellers
49	3850320	1	Propeller, 5 x 17 Bulletin 56-11	56-11-EN	LR, polished SS Replacement of SX Propellers
49	3850321	1	Propeller, 41/2 x 19 Bulletin 56-11	56-11-EN	LR, polished SS Replacement of SX Propellers
49	3850322	1	Propeller, 41/4 x 21 Bulletin 56-11	56-11-EN	LR, polished SS Replacement of SX Propellers
49	3850323	1	Propeller, 41/4 x 23 Bulletin 56-11	56-11-EN	LR, polished SS Replacement of SX Propellers
50	3850324	1	• Propeller bushing, Propeller		Aluminum
	3850325	1	• Propeller bushing, Propeller		SS; polished SS
51	3850831	1	• Sleeve, Bushing		
52	3854241	1	• Ring, Converging		Aluminum
53	3855411	1	Zinc anod Bulletin P-44-1-1	P-44-1-1-EN	Anodes, SX AND DP-S
53	3855412	1	Magnesium anode		
54	3852182	2	Lock washer, Anode		
55	3852186	2	Screw, Anode to gearcase		
56	3855275	1	Seal		

7797260 - - 0-0004

GR960028

Upd: 22 NOV 2005